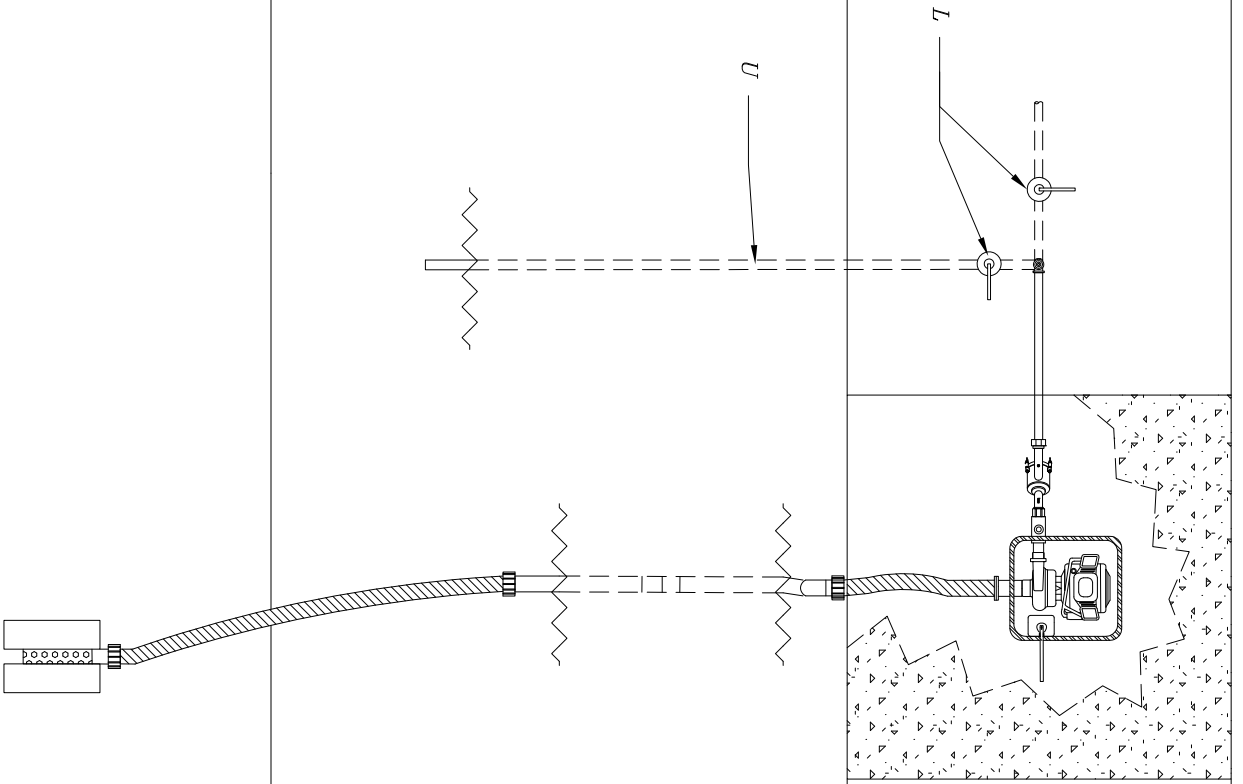
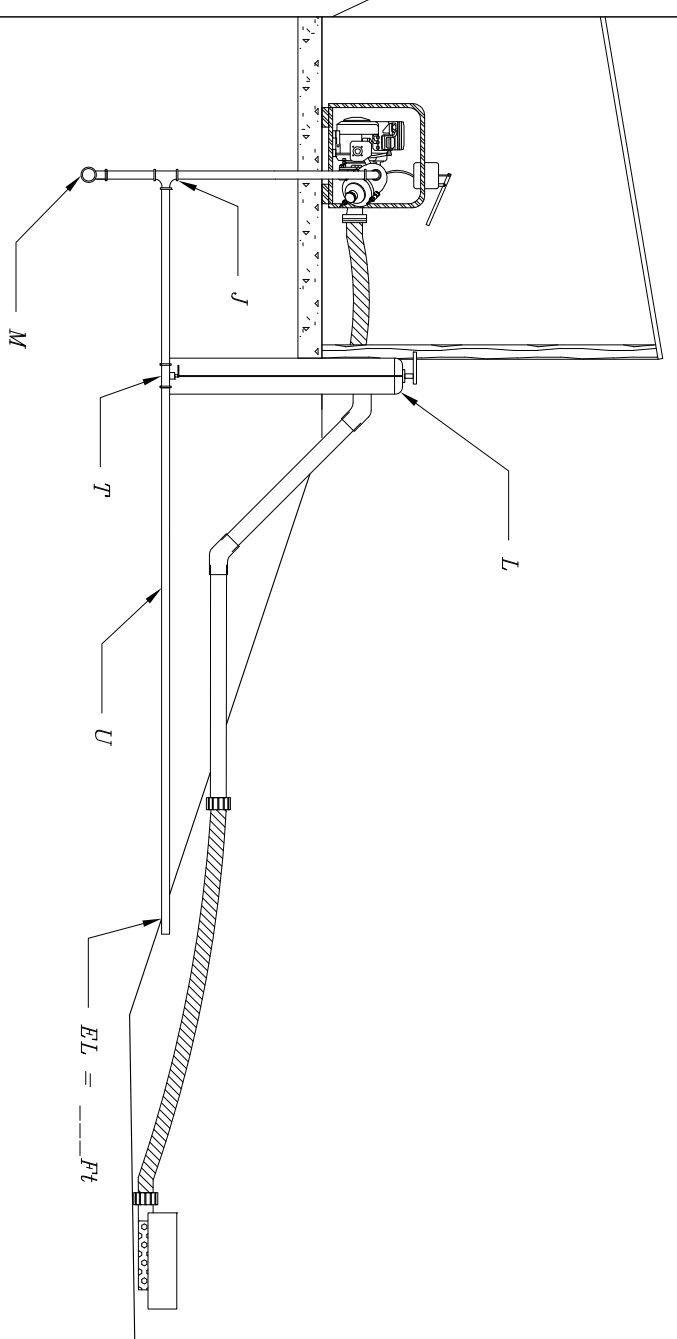


Diesel Pump Station Plan View



Side View of Mainline Drain



Component List for Diesel Pump Station

- J - Tee for Mainline Drain
- L - Valve Control Wrench with PVC Pipe Cover
- M - Mainline Pipe (see specifications)
- T - Valve for Mainline Drain, 2"
- U - 2" PVC Pipe for Mainline Drain

*Specifications and Quantities*



Designed	###	Date	###
Drawn	_____		
Checked	_____		
Approved	_____		

PLAN VIEW

OWNER: UNL-BSE51-B  
 COUNTY: ###

